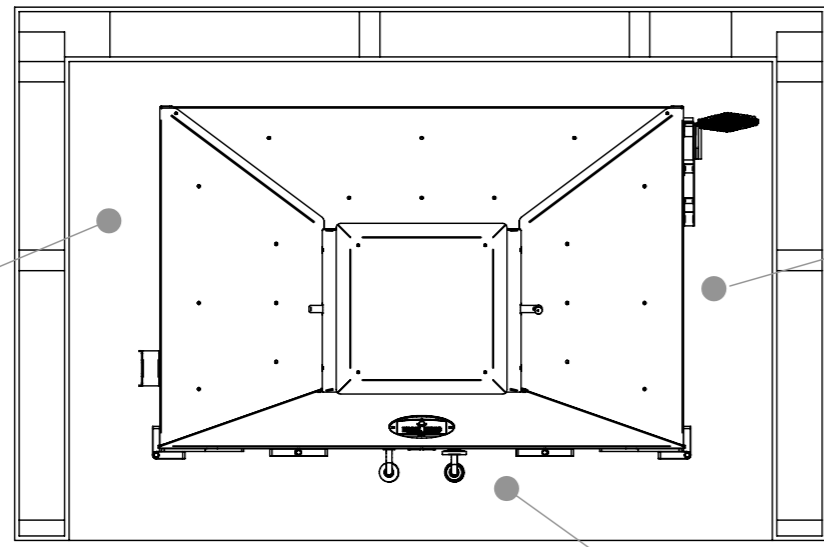


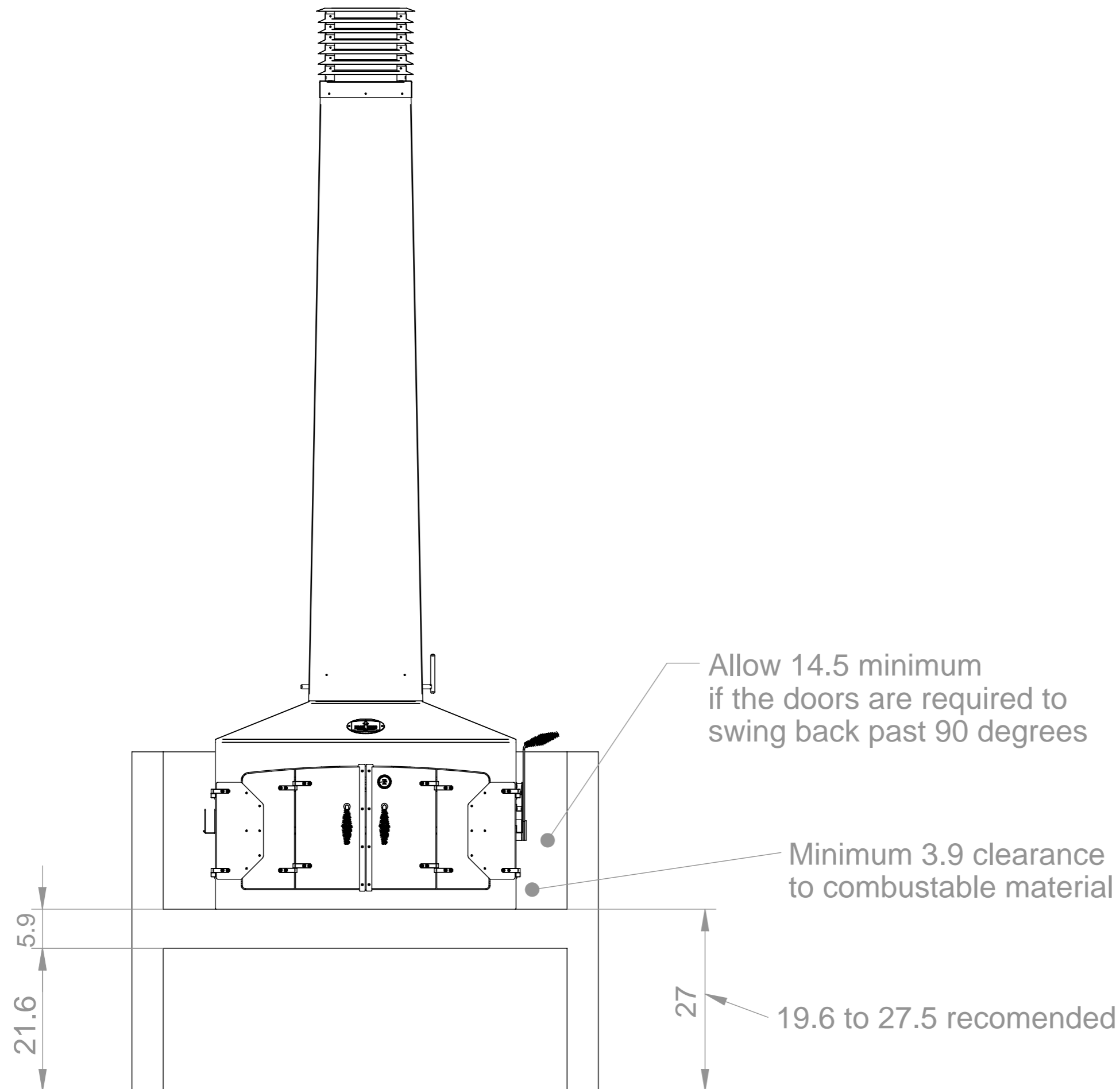
Unless otherwise specified
 dimensions are in inches.
 For additional information
 contact sales@engelfire.com



Minimum 3.9 clearance to combustible material

Minimum 3.9 clearance to combustible material

7.8 Minimum hearth size



Allow 14.5 minimum if the doors are required to swing back past 90 degrees

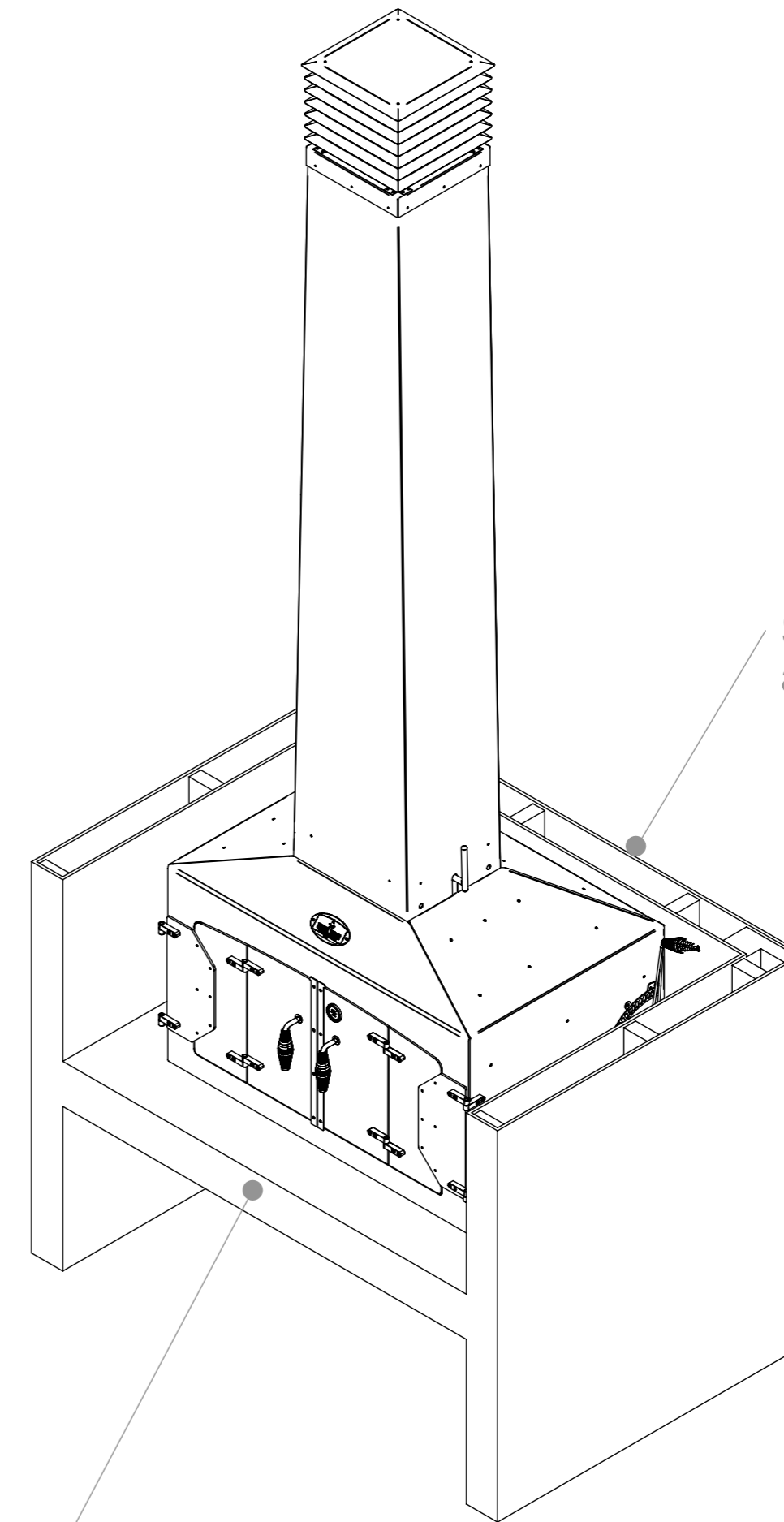
Minimum 3.9 clearance to combustible material

19.6 to 27.5 recommended

21.6

5.9

27



Structure must be able to support 992lbs.

Base must be non combustible material only.



Unless otherwise specified dimensions are in inches. For additional information contact sales@engelfire.com